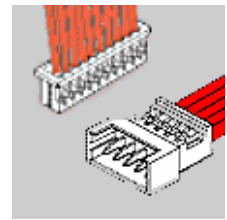


Datasheet  
Crimp Housings



[ [Home](#) > [Products](#) > [Housings](#) > [Datasheet](#) ]

# 03-06-2041

1.57mm (.062") Diameter Standard .062 Pin and Socket Plug Housing, 4 Circuits

[View all parts in series 1625r](#)
[2D Comparison](#)
[E-mail this page](#)
[Samples](#)
[Buy](#)

Status	Active
Circuits / Positions	4
Circuits Detail	(1 x 4)
Pitch / Center Spacing	3.68mm (.145")
Rows	1
Product Name	Standard .062"
Gender	Dual
Stackable	No
Wire Entry Angle	Vertical
Panel Mount	Yes
Panel Thickness	1.52mm (.060")
Current-max [amps]	5.0A

**RELATED PRODUCTS**

Mates With	1625r
Use With	1560, 1561, 1776, 1779, 1786, 1787, 1854, 1855, 2189, 2190, 4529, 4559
Lock to Mating Part	Friction Ramp

**MECHANICAL**

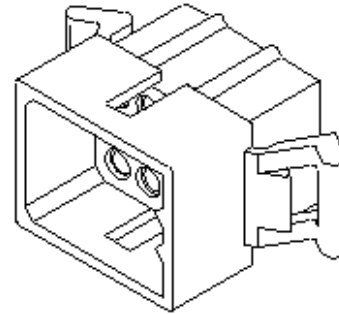
Contact Retention Force-min. (per circuit)	89.0N (20.00 lb)
Unmating Force-min. (per circuit)	4.45N (1.00 lb)
Mating Force-max. (per circuit)	6.22N (1.40 lb)

**PHYSICAL**

Housing Material	PA Polyamide (Nylon) 6/6
Color	Natural
Flammability	UL 94V-2
Temperature Range	-40°C to +105°C

**REFERENCE**

Packaging	Bag
UL File Number	E29179
CSA File Number	LR19980
TUV File No.	R75107
MX01 Catalog Page	F-139
990 Catalog Page	K-69



ENVIRONMENT	
RoHS Compliant	No
Date to be RoHS Compliant	2005-07

**Features and Benefits**

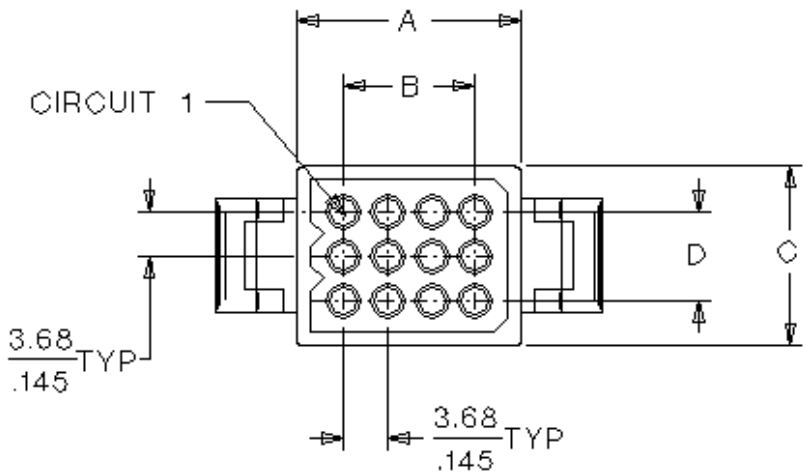
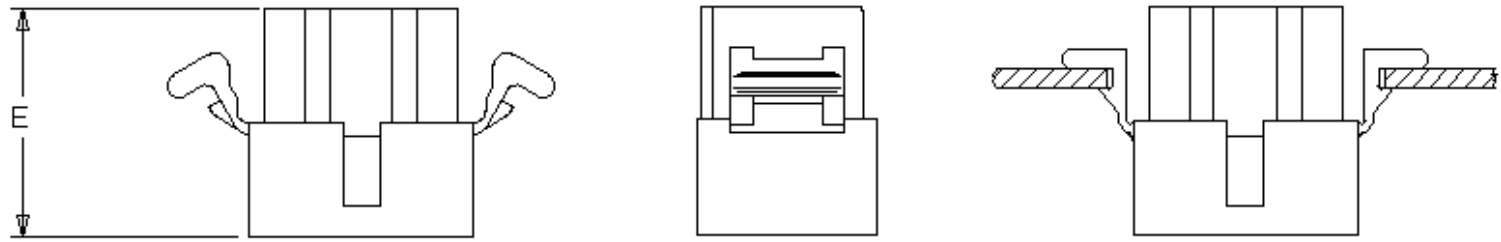
- Plug for wire-to-wire or wire-to-board applications
- Free-hanging or panel mount versions available
- Passive (friction) locking engagement to receptacle for secure mating retention
- Fully isolated terminals to protect contacts from damage
- Plug housing is fully polarized to receptacle housing to prevent mismatching
- Male or female terminals may be used in plug housing
- Solder tail terminals available for PCB mounting
- 1-piece strain relief available (41316 series)

Old Part Number	1625-4P
Molex Series	1625
Marketing Series	1625p
Overview	Standard .062"(.812)

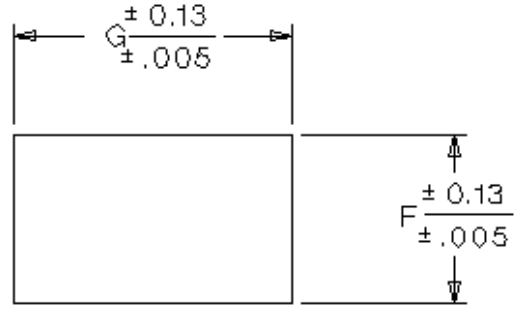
2D DRAWING - For reference only. See technical Drawing (PDF) for design-in purposes.

DIMENSIONS	
Designed In	Inches
Dimension A (Overall Length)	18.54mm (.730")
Dimension B (First-to-Last Circuit)	11.05mm (.435")
Dimension C	7.37mm (.290")
Dimension E	19.81mm (.750")
Dimension F	7.95mm (.312")
Dimension G	21.97mm (.865")

12 CIRCUIT SHOWN



PANEL CUTOUT INFORMATION



RECOMMENDED PANEL THICKNESS:  $\frac{1.52}{.060}$  MAX